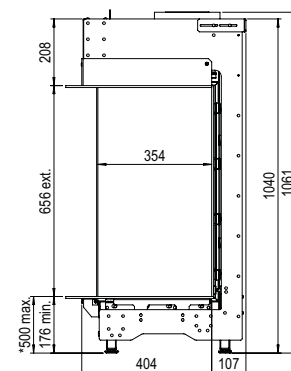
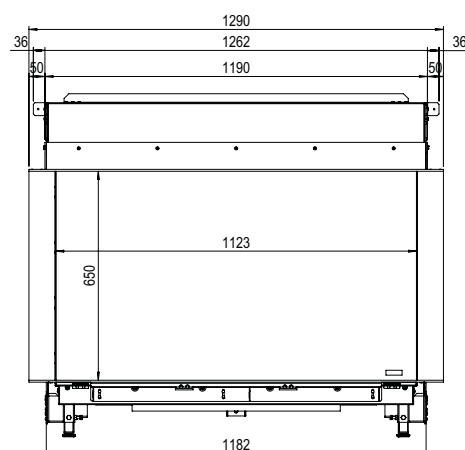
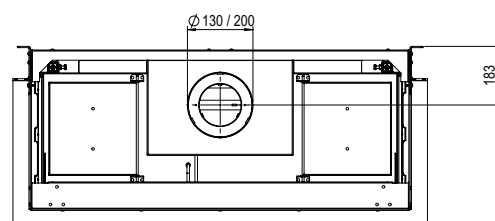


MatriX | 1050/650 III



ENERGY
 енергия · ενεργεια
 Y IIA
 IE IA
MatriX 1050/650 I, II, III
 Faber

A++
 A+
 A
 B
 C
 D
 E
 F
 G

B

10,0
 kW

ENERGIA · ЕНЕРГИЈА · ΕΝΕΡΓΕΙΑ · ENERGIJA · ENERGY · ENERGIE · ENERGI
 2015/1186

Specifications

MatriX 1050/650 III

Type	Built-in
Model	Three-sided model
Exterior dimensions WxHxD in mm	1293 x 1069 x 585
Fire display WxHxD in mm	1122 x 650 x 358
System	Log Burner 2.0®
Decoration	Log set
Back walls	Smooth steel
Remote	ITC remote
Power (kW)	10,0
Operating system	Honeywell
Energylabel	B

There is **so much to tell...**

For more information, please take a look at the website

www.faberfires.com