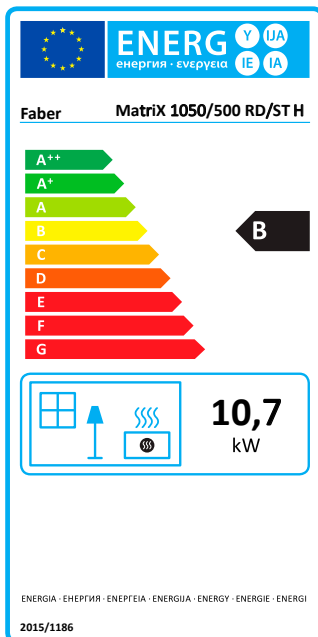
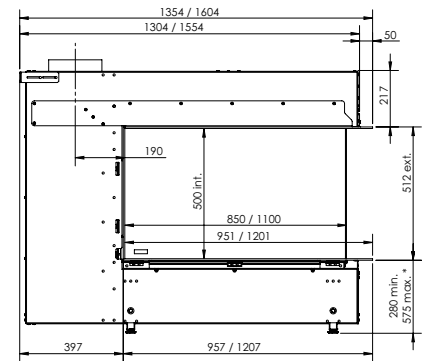
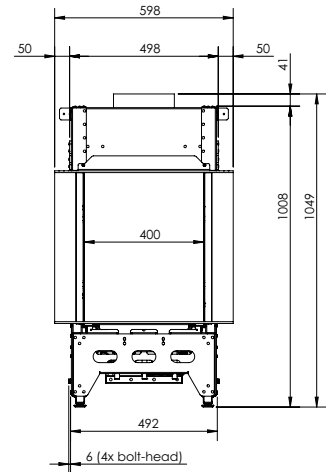
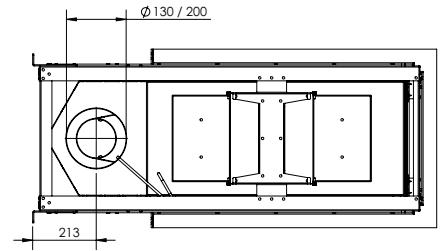


# MatriX | 1050/500 RD



## Specifications MatriX 1050/500 RD

Type	Built-in
Model	Room divider
Exterior dimensions WxHxD in mm	1604 x 1049 x 598
Fire display WxHxD in mm	1100 x 500 x 400
System	Log Burner. 3.0
Decoration	Log set
Back walls	Smooth steel
Remote	ITC remote
Power (kW)	10,7 kW
Operating system	Honeywell
Energy label	B

### OPTIONS

- Glass back wall black
- Anti-reflective glass
- Hybrid Pro Light (HPL) Module
- Wall bracket
- Adjustable legs
- ITC control

For more information, please take a look at the website

[www.faberfires.com](http://www.faberfires.com)

There is **so much to tell...**