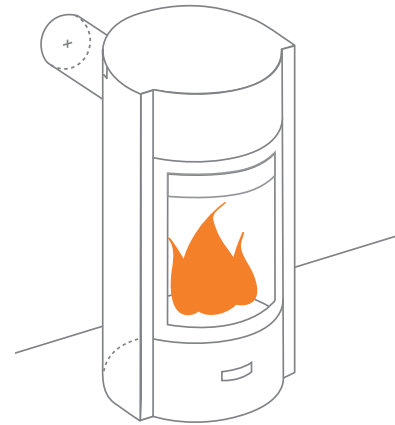


30 | The stove

stuv

3 doors	glass door, close door, open fire
control of the fire	precision control of combustion air
air-tightness	control over the distribution of combustion air; sweeping of the glass, no consumption of room air, no CO in the living room
excellent efficiency	even at half-power
low pollutant levels	low emission of CO and fine particles even at half-power
outside air inlet	at back or under the stove
for traditional, energy-efficient and wood-framed homes	✓
150 or 180-mm smoke outlet	at back or above
turning plate	integrated



TECHNICAL SPECIFICATIONS

GENERAL

TYPE OF SYSTEM	stove
MATERIALS	steel + refractors
COLOUR	Stuv grey
LOADING	manual
FUEL	wood logs
POSITION OF LOGS	vertical
LENGTH OF LOGS	50 cm

WEIGHT / DIMENSIONS

WEIGHT	215 kg
Ø OF SMOKE DUCT	150/ 180 mm
Ø HOT-AIR OUTLETS	-
Ø OUTSIDE AIR INLET	100 mm

AIR

DIRECT OUTSIDE INLET	✓
CONTROL OF PRIMARY AIR	✓
CONTROL OF SECONDARY AIR	✓
POST-COMBUSTION	✓
AIR-TIGHTNESS	+++
OPERATION WITHOUT FAN	✓
OVERHEATING INDICATOR	X

PERFORMANCE

OUTPUT	10 kW
USAGE RANGE	5-12 kW
EFFICIENCY	81 %
CO EMISSIONS	0,05 %
FINE PARTICLE EMISSIONS	28 mg/Nm ³
RANGE OF WOOD CONSUMPTION	1,4 - 3,4 kg/h
MINIMUM DRAW	12 Pa
SMOKE MASS FLOW	8,2 g/s
AVERAGE SMOKE TEMPERATURE	272°C
CONSUMPTION OF ROOM AIR FOR COMBUSTION	22,5 m ³ /h
ENERGY EFFICIENCY INDEX (EEI)	108
ENERGY EFFICIENCY CLASS	A+

MIN. THICKNESS OF INSULATION BETWEEN STOVE AND COMBUSTIBLE MATERIALS

BACK FACE	10 cm
SIDE FACE	10 cm
UPPER FACE	-
INSIDE FACE	0 cm

ACCESSORIES / EQUIPMENT

ACCUMULATION	X
CUPBOARD	X
BARBECUE	○
ASH-TRAY	✓
CONVECTION	✓
FAÇADE	X
OPEN FIRE	✓
MOBILOBOX	○
GROUND PLATE	○
READY-TO-FIT	X
LOG RACK	○
ROTARY FUNCTION	○
BASE	X
FAN	X
RETRACTABLE GLASS	X

LEGEND

✓	STANDARD
X	UNAVAILABLE
○	OPTIONAL

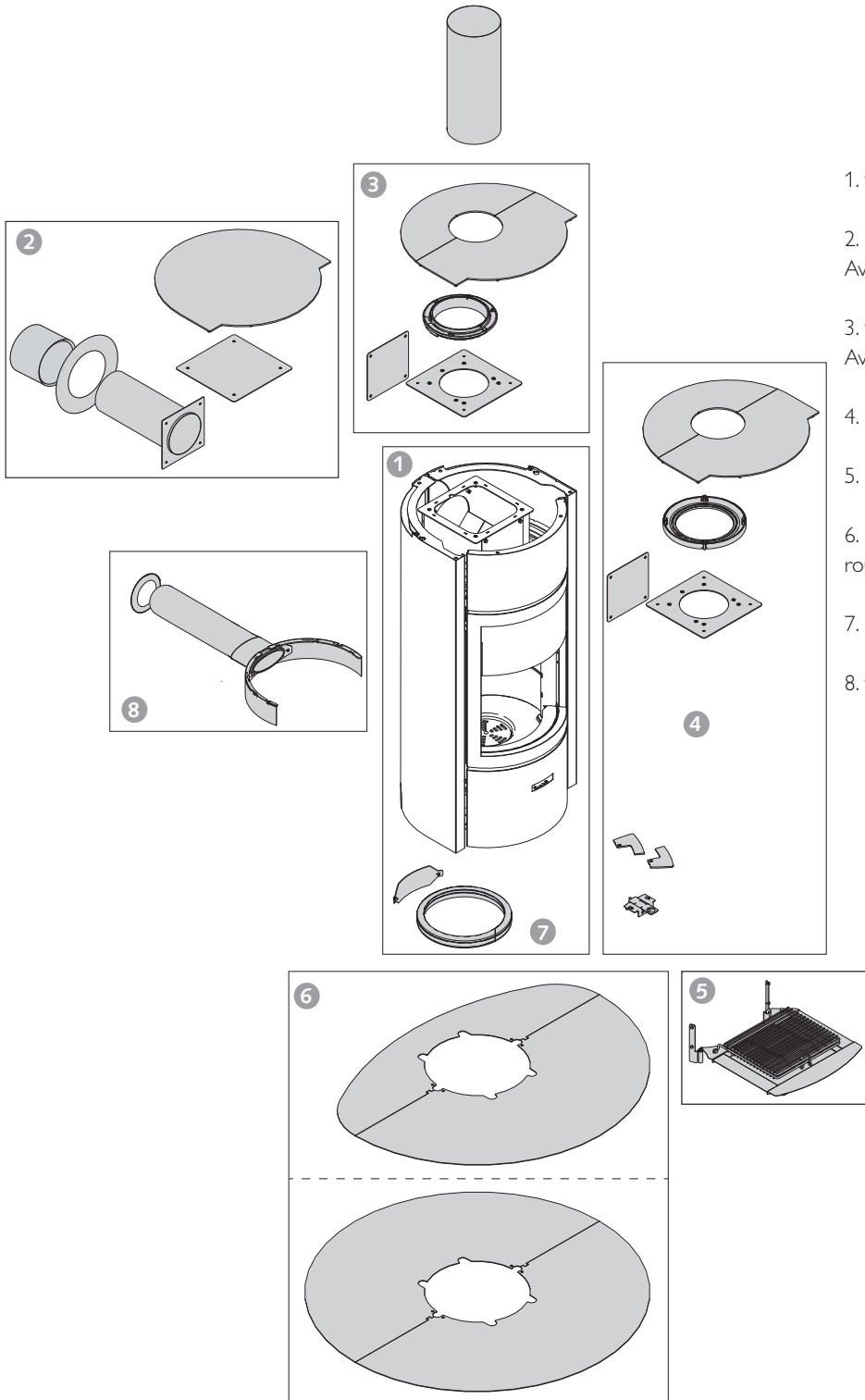
according to:

- Art. 15A B-VG (AT) - BE Phase 1, 2 & 3
- OPair (CH) - BImSchV1 & 2 (DE)flamme
VERTELe label
du chauffage
au bois

defra

in accordance
with
DIN plus

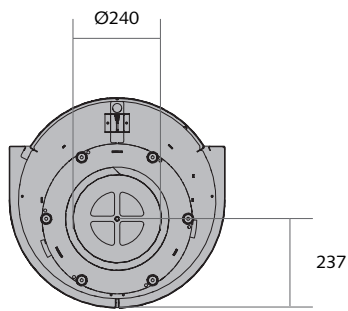
THE BASIC STOVE AND ITS OPTIONAL FEATURES



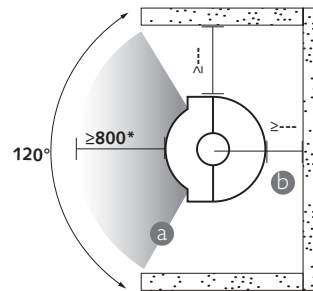
- 1. the stove
- 2. rear smoke exit kit
Available in diameter 150 or 180mm
- 3. top smoke exit kit
Available in diameter 150 or 180mm
- 4. rotary kit
- 5. barbecue kit
- 6. floor finishing plate (oval or round)
- 7. bottom external air supply
- 8. top external air supply

DIMENSIONS OF THE STOVE

VIEW FROM BEHIND

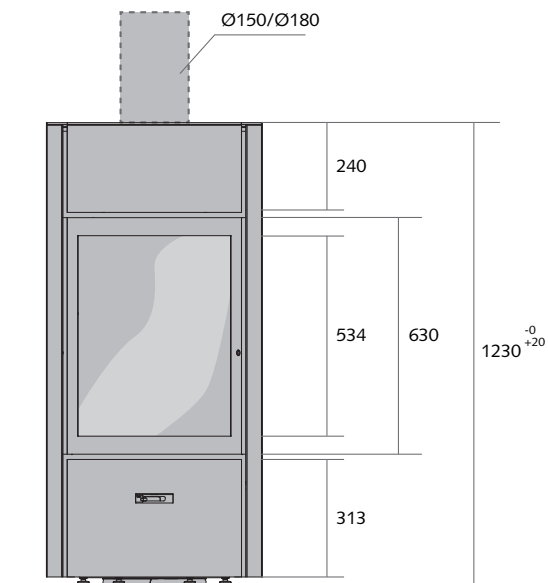


SAFETY DISTANCES

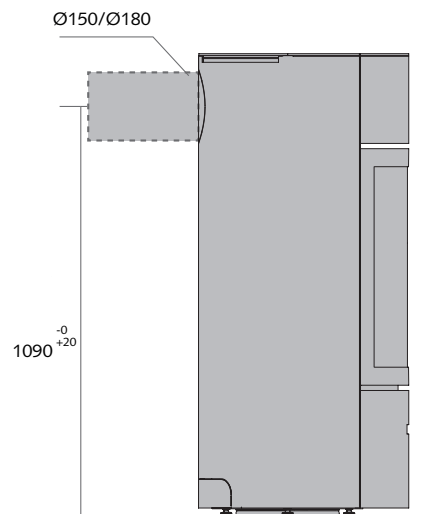


a: Heat radiated from the glass
 b: Heat radiated from the walls
 *Safety distances from combustible materials.

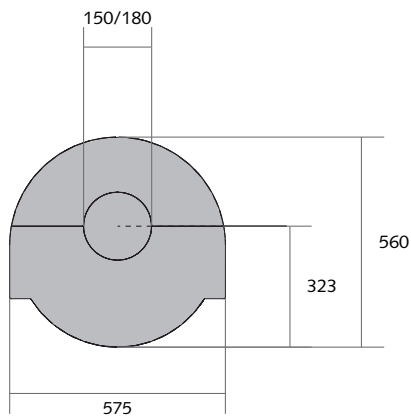
VIEW OF FRONT



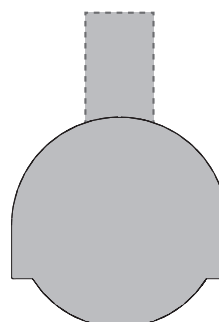
VIEW OF PROFILE



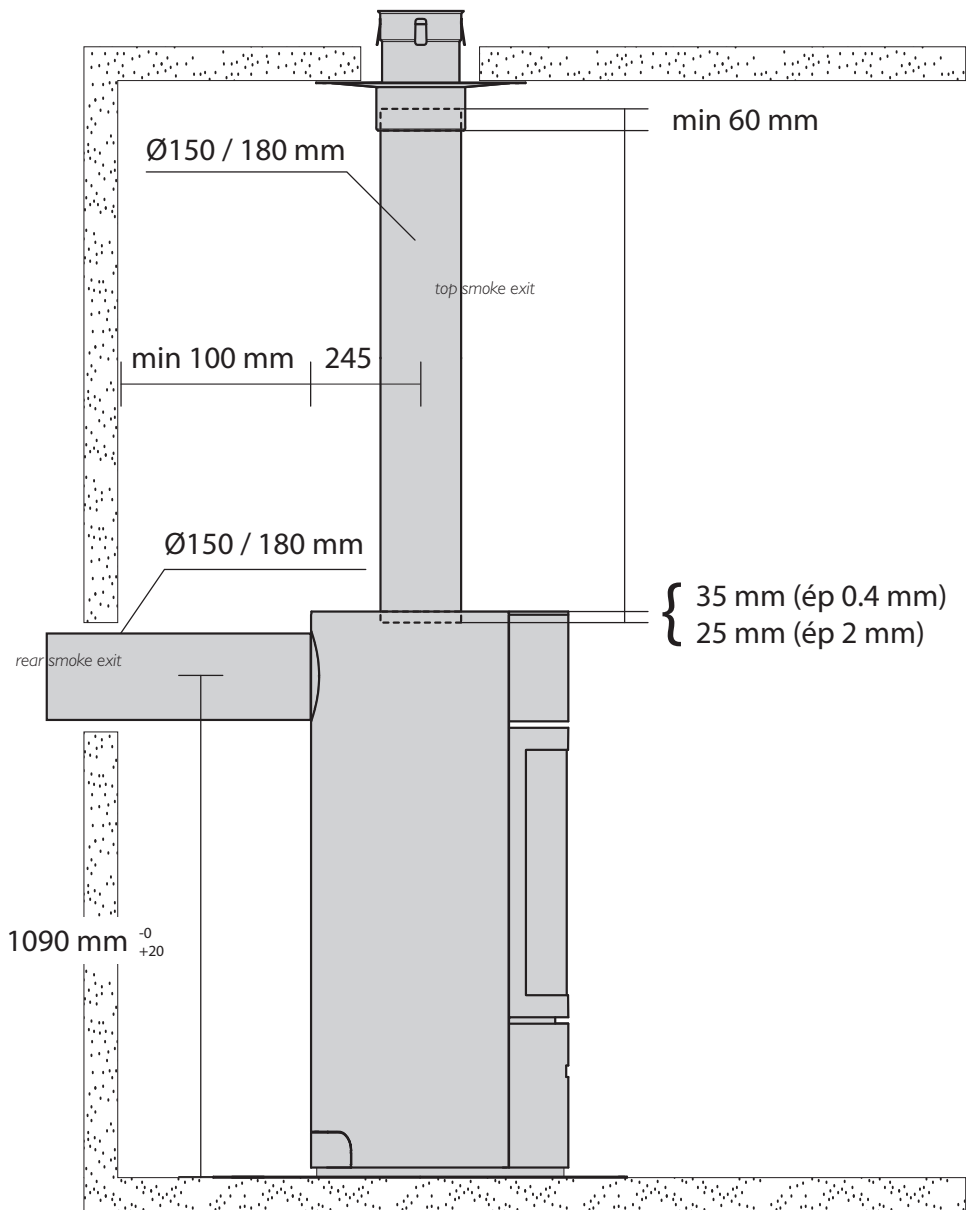
VIEW FROM ABOVE TOP SMOKE EXIT



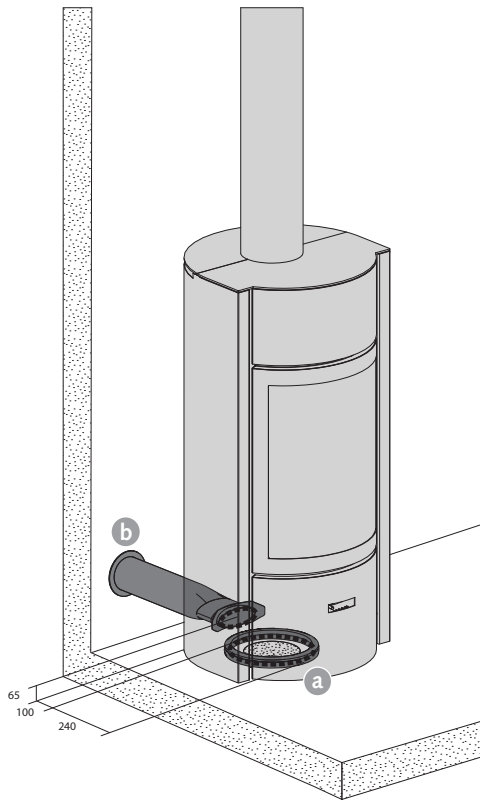
VIEW FROM ABOVE REAR SMOKE EXIT



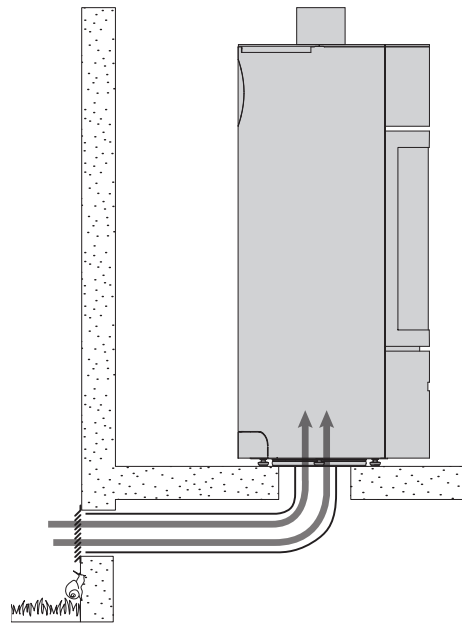
SMOKE OUTLETS



COMBUSTION AIR INLET

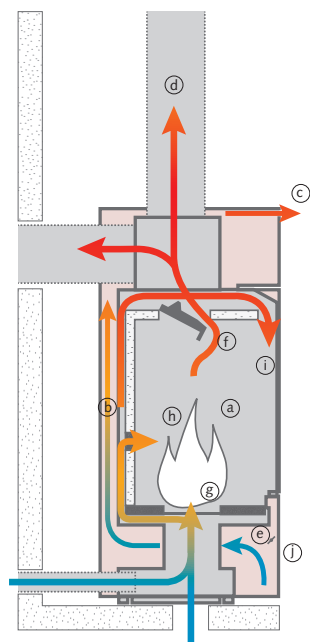


a : bottom external air supply
b: top external air supply



bottom external air supply

COMBUSTION & CONVECTION AIR



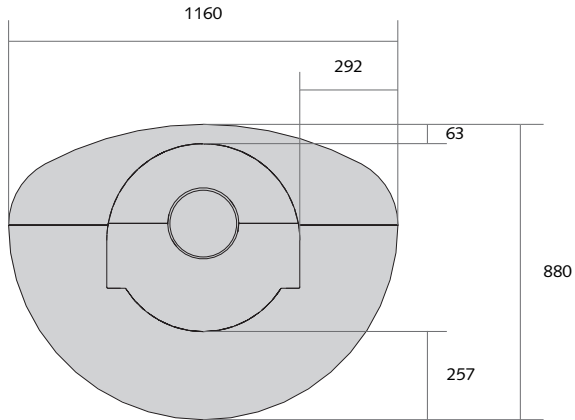
■ combustion zone
■ convection zone

- a. combustion chamber
- b. double wall
- c. room
- d. flue
- e. regulator lever
- f. deflectors
- g. base of the flames
- h. small holes between the bricks
- i. glass
- j. control valve

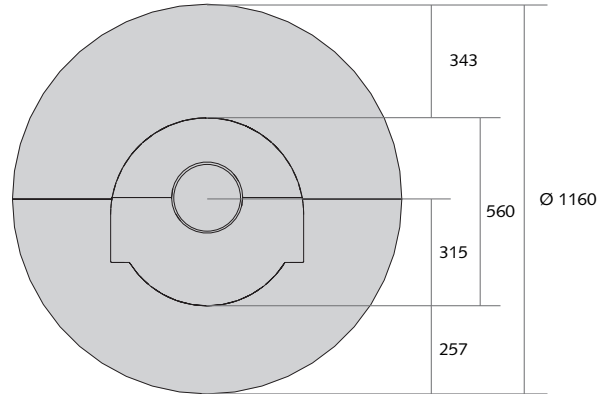
30 + accessories



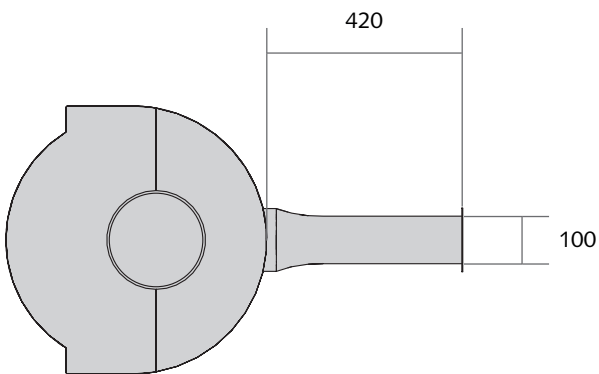
OVAL FLOOR FINISHING PLATE



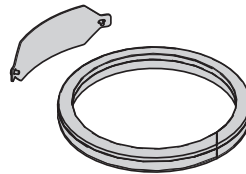
ROUND FLOOR FINISHING PLATE



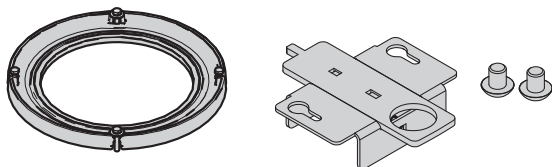
REAR OUTSIDE AIR INLET KIT



BACK OUTSIDE AIR INLET KIT



ROTARY KIT (COLLAR + LOCK)



BARBECUE

