

16/58-cube | The stove

stûv

appearance

compact and subtle design
can be placed on the ground,
on a brickwork base or on a Stûv base

ergonomics

accessibility to all mechanisms

high efficiency

economical

low wood consumption

low pollutant levels

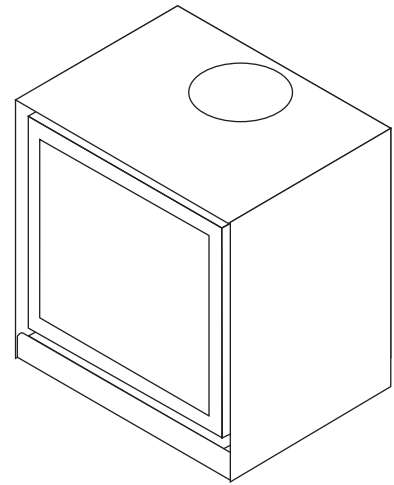
low emission of CO and fine particles

air-tightness

++

for traditional and
energy-efficient homes

✓



TECHNICAL SPECIFICATIONS

GENERAL

TYPE OF SYSTEM	stove
MATERIALS	steel + vermiculite
COLOUR	Stûv grey
LOADING	manual
FUEL	wood
POSITION OF LOGS	horizontal
LENGTH OF LOGS	40 cm

WEIGHT / DIMENSIONS

WEIGHT	105 kg
Ø OF SMOKE DUCT	180 mm
HOT-AIR OUTLET	front
Ø OUTSIDE AIR INLET	63 mm

AIR

DIRECT OUTSIDE INLET	✓
CONTROL OF PRIMARY AIR	✓
CONTROL OF SECONDARY AIR	✓
POST-COMBUSTION	✓
AIR-TIGHTNESS	++
OPERATION WITHOUT FAN	✓
OVERHEATING INDICATOR	X

PERFORMANCE

OUTPUT	7 kW
USAGE RANGE	5-8 kW
EFFICIENCY	78%
CO EMISSIONS	0.09%
FINE PARTICLE EMISSIONS	11 mg/Nm ³
RANGE OF WOOD CONSUMPTION	1.4 - 2.3 kg/h
MINIMUM DRAW	12 Pa
SMOKE MASS FLOW	7 g/s
AVERAGE SMOKE TEMPERATURE	283 °C
CONSUMPTION OF AIR FOR COMBUSTION	18.6 m ³ /h
ENERGY EFFICIENCY INDEX (EEI)	104
ENERGY EFFICIENCY CLASS	A

MINIMUM SAFETY DISTANCE
FROM ADJACENT COMBUSTIBLE
MATERIALS

BACK FACE	35 cm
SIDE FACE	25 cm
UPPER FACE	-
INSIDE FACE	0 cm

ACCESSORIES / EQUIPMENT

ACCUMULATION	X
CUPBOARD	X
BARBECUE	X
ASHTRAY	X
CONVECTION	✓
FAÇADE	X
OPEN FIRE	X
MOBILOBOX	○
GROUND PLATE	X
READY-TO-FIT	X
LOG RACK	✓
ROTARY FUNCTION	X
BASE	✓
FAN	○
RETRACTABLE GLASS	X

LEGEND

✓	STANDARD
X	UNAVAILABLE
○	OPTIONAL

according to:
- OPair (CH)
- BE Phase 1, 2 & 3
- BlmSchV2 (DE)



Flamme
VERTE
Le label
du chauffage
au bois



16/68-cube | The stove

stûv

appearance

compact and subtle design
can be placed on the ground,
on a brickwork base or on a Stûv base

ergonomics

accessibility to all mechanisms

high efficiency

economical

low wood consumption

low pollutant levels

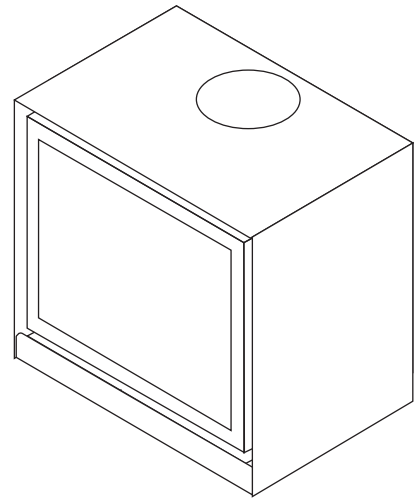
low emission of CO and fine particles

air-tightness

++

for traditional and
energy-efficient homes

✓



TECHNICAL SPECIFICATIONS

GENERAL

TYPE OF SYSTEM	stove
MATERIALS	steel + vermiculite
COLOUR	Stûv grey
LOADING	manual
FUEL	wood
POSITION OF LOGS	horizontal
LENGTH OF LOGS	50 cm

WEIGHT / DIMENSIONS

WEIGHT	113 kg
Ø OF SMOKE DUCT	180 mm
HOT-AIR OUTLET	front
Ø OUTSIDE AIR INLET	63 mm

AIR

DIRECT OUTSIDE INLET	✓
CONTROL OF PRIMARY AIR	✓
CONTROL OF SECONDARY AIR	✓
POST-COMBUSTION	✓
AIR-TIGHTNESS	++
OPERATION WITHOUT FAN	✓
OVERHEATING INDICATOR	X

PERFORMANCE

OUTPUT	7.5 kW
USAGE RANGE	5-9 kW
EFFICIENCY	77%
CO EMISSIONS	0.10%
FINE PARTICLE EMISSIONS	19 mg/Nm ³
RANGE OF WOOD CONSUMPTION	1.5 - 2.6 kg/h
MINIMUM DRAW	12 Pa
SMOKE MASS FLOW	7.9 g/s
AVERAGE SMOKE TEMPERATURE	301 °C
CONSUMPTION OF AIR FOR COMBUSTION	20.8 m ³ /h
ENERGY EFFICIENCY INDEX (EEI)	103
ENERGY EFFICIENCY CLASS	A

MINIMUM SAFETY DISTANCE
FROM ADJACENT COMBUSTIBLE
MATERIALS

BACK FACE	30 cm
SIDE FACE	15 cm
UPPER FACE	-
INSIDE FACE	0 cm

ACCESSORIES / EQUIPMENT

ACCUMULATION	X
CUPBOARD	X
BARBECUE	X
ASHTRAY	X
CONVECTION	✓
FAÇADE	X
OPEN FIRE	X
MOBILOBOX	○
GROUND PLATE	X
READY-TO-FIT	X
LOG RACK	✓
ROTARY FUNCTION	X
BASE	✓
FAN	○
RETRACTABLE GLASS	X

LEGEND

✓	STANDARD
X	UNAVAILABLE
○	OPTIONAL

according to:
- OPair (CH)
- BE Phase 1,2 & 3
- BlmSchV2 (DE)



16/78-cube | The stove

stuv

appearance

compact and subtle design
can be placed on the ground,
on a brickwork base or on a Stuv base

ergonomics

accessibility to all mechanisms

high efficiency

economical

low wood consumption

low pollutant levels

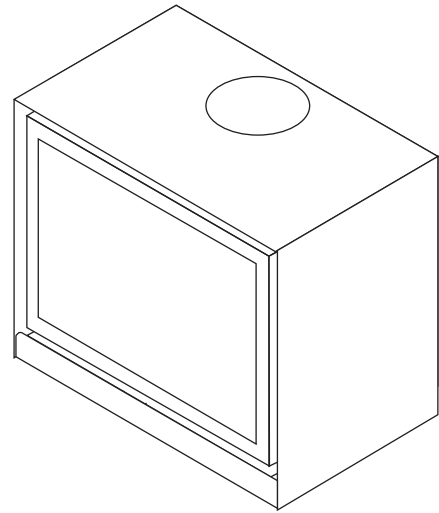
low emission of CO and fine particles

air-tightness

++

for traditional and
energy-efficient homes

✓



TECHNICAL SPECIFICATIONS

GENERAL

TYPE OF SYSTEM	stove
MATERIALS	steel + vermiculite
COLOUR	Stuv grey
LOADING	manual
FUEL	wood
POSITION OF LOGS	horizontal
LENGTH OF LOGS	60 cm

WEIGHT / DIMENSIONS

WEIGHT	121 kg
Ø OF SMOKE DUCT	180 mm
HOT-AIR OUTLET	front
Ø OUTSIDE AIR INLET	63 mm

AIR

DIRECT OUTSIDE INLET	✓
CONTROL OF PRIMARY AIR	✓
CONTROL OF SECONDARY AIR	✓
POST-COMBUSTION	✓
AIR-TIGHTNESS	++
OPERATION WITHOUT FAN	✓
OVERHEATING INDICATOR	X

PERFORMANCE

OUTPUT	8 kW
USAGE RANGE	6-10 kW
EFFICIENCY	75%
CO EMISSIONS	0,09%
FINE PARTICLE EMISSIONS	13 mg/Nm ³
RANGE OF WOOD CONSUMPTION	1.8 - 3.0 kg/h
MINIMUM DRAW	12 Pa
SMOKE MASS FLOW	8.8 g/s
AVERAGE SMOKE TEMPERATURE	318 °C
CONSUMPTION OF AIR FOR COMBUSTION	23,5 m ³ /h
ENERGY EFFICIENCY INDEX (EEI)	100
ENERGY EFFICIENCY CLASS	A

MINIMUM SAFETY DISTANCE
FROM ADJACENT COMBUSTIBLE
MATERIALS

BACK FACE	30 cm
SIDE FACE	15 cm
UPPER FACE	-
INSIDE FACE	0 cm

ACCESSORIES / EQUIPMENT

ACCUMULATION	X
CUPBOARD	X
BARBECUE	X
ASHTRAY	X
CONVECTION	✓
FAÇADE	X
OPEN FIRE	X
MOBILOBOX	○
GROUND PLATE	X
READY-TO-FIT	X
LOG RACK	✓
ROTARY FUNCTION	X
BASE	✓
FAN	○
RETRACTABLE GLASS	X

LEGEND

✓	STANDARD
X	UNAVAILABLE
○	OPTIONAL

according to:
- OPair (CH)
- BE Phase 1,2 & 3
- BlmSchV2 (DE)



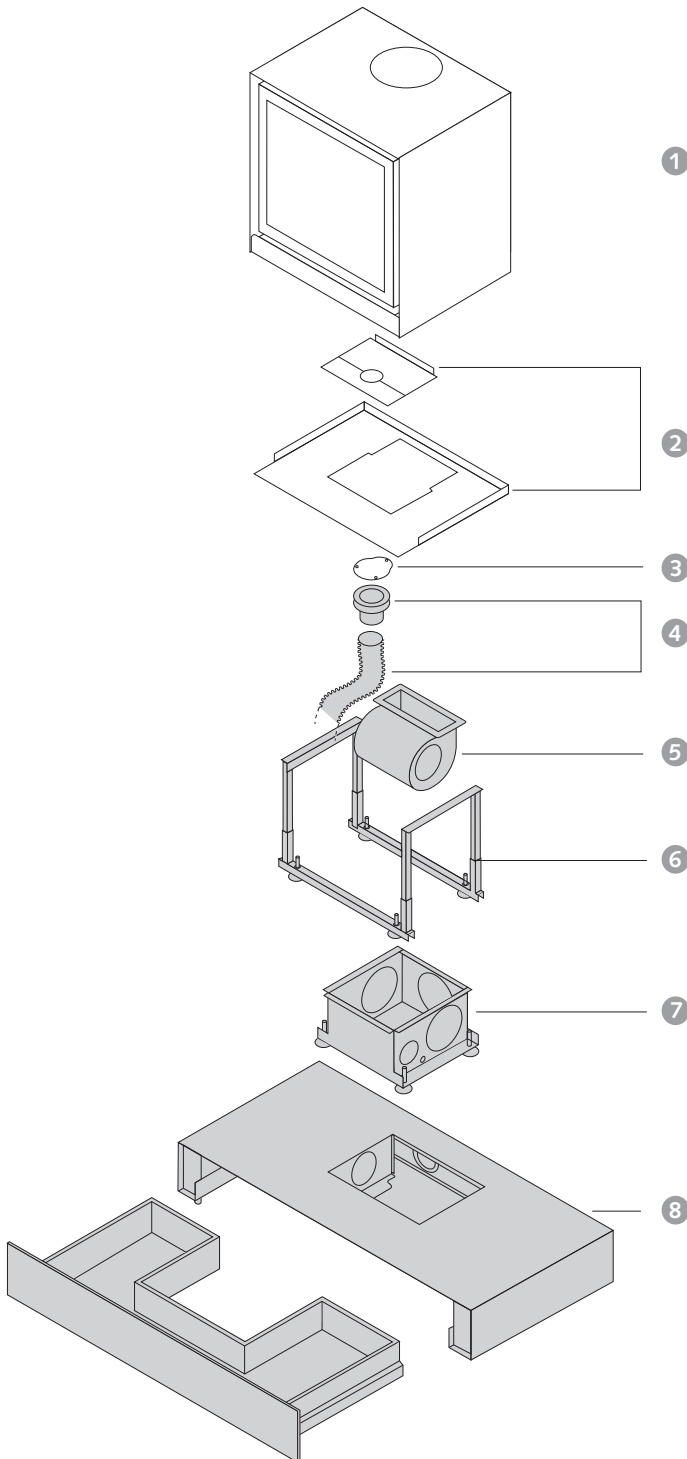
Flamme
VERTE
Le label
du chauffage
au bois



16-cube | The stove



THE BASIC STOVE AND ITS OPTIONAL FEATURES



1

2

3

4

5

6

7

8

1. Fireplace

2. Support plate

3. Cable outlet

4. Outside air intake kit:
flue outlet + Ø 63 mm flexible tubing (3 m)

5. Fan

6. Adjustable support table

7. Ventilation chamber

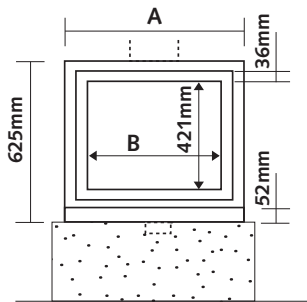
8. Base for stove fitted with a fan,
an outside air connection or both.
A simpler model is available for
stoves without a fan and without
an outside air connection

16-cube | The stove

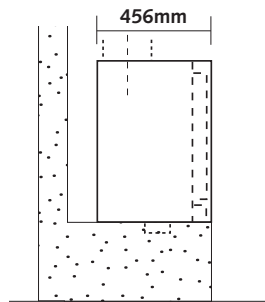


DIMENSIONS OF THE STOVE WITHOUT FAN

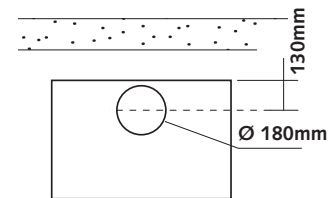
VIEW FROM FRONT



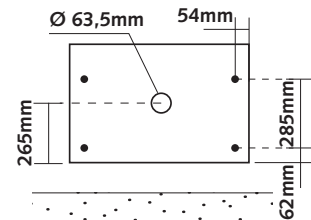
VIEW FROM BELOW



VIEW FROM ABOVE

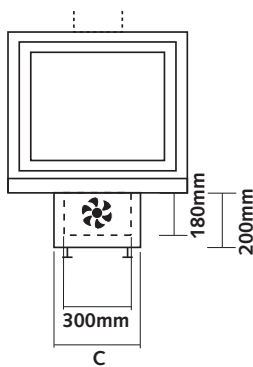


VIEW FROM BEHIND

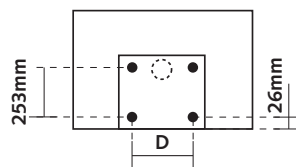


DIMENSIONS OF THE STOVE WITH FAN

VIEW FROM FRONT



VIEW FROM BEHIND

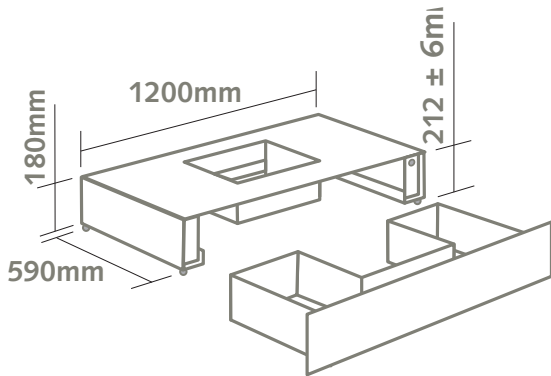


DIMENSIONS	A	B	C	D
16/58-cube	580 mm	448 mm	340 mm	288 mm
16/68-cube	680 mm	548 mm	540 mm	512 mm
16/78-cube	780 mm	648 mm	540 mm	512 mm

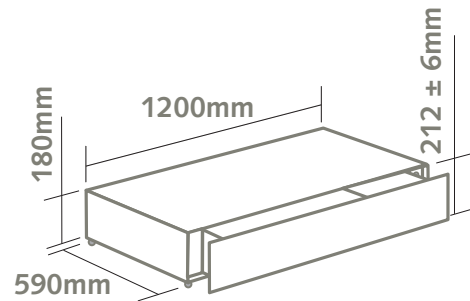
16-cube | Accessories



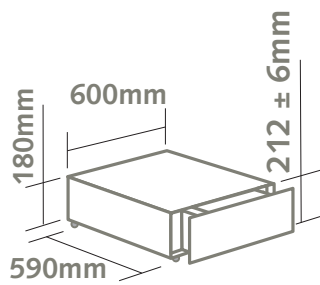
BASE WITH U-SHAPED DRAWER - 120CM



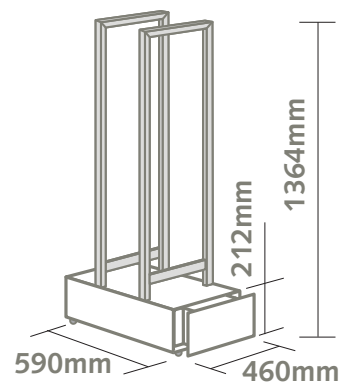
BASE WITH DRAWER - 120CM



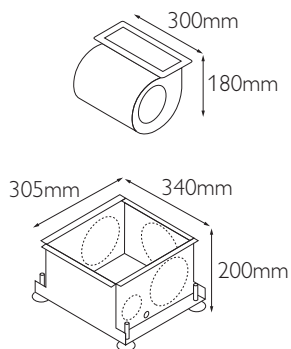
BASE WITH DRAWER - 60CM



MOBILE LOG RACK (FOR 25 TO 50 CM LOGS)



16/58-CUBE FAN KIT (FAN + VENTILATION CHAMBER)



16/68-CUBE & 16/78-CUBE FAN KIT (FAN + VENTILATION CHAMBER)

